

# HYVA CYLINDER

714 04 567



type: UMB 129-5-1980-K192-45-1/2"-HC

tipping weight: 6-17 ton

page # 1 / 2

Stage diameters <b>129</b> <b>110</b> <b>91</b> <b>72</b> <b>53</b>	front view cylinder		<table border="1"> <tr><td>A</td><td>175</td></tr> <tr><td>ØC</td><td>150</td></tr> <tr><td>G¹</td><td>622</td></tr> <tr><td>I</td><td>430</td></tr> <tr><td>K¹</td><td>192</td></tr> <tr><td>M¹</td><td>86</td></tr> <tr><td>ØP</td><td>88</td></tr> <tr><td>ØQ</td><td>53</td></tr> <tr><td>S</td><td>436</td></tr> <tr><td>ØW</td><td>45</td></tr> <tr><td>X</td><td>45</td></tr> </table>	A	175	ØC	150	G¹	622	I	430	K¹	192	M¹	86	ØP	88	ØQ	53	S	436	ØW	45	X	45
A	175																								
ØC	150																								
G¹	622																								
I	430																								
K¹	192																								
M¹	86																								
ØP	88																								
ØQ	53																								
S	436																								
ØW	45																								
X	45																								

<sup>1</sup>including 20 mm pull-out [tol. -5; +30 mm]

<sup>2</sup>cylinder is delivered including oil inlet swivel adapter and cup

## specifications

total stroke <sup>1</sup>	1980 mm
dry weight cylinder only	70 kg
total volume	15.5 L
working volume	14.0 L
maximum pressure	220 bar
maximum pump flow	33 l/min
maximum allowable thrust first stage <sup>3</sup>	15.0 ton
oil inlet	1/2" BSP

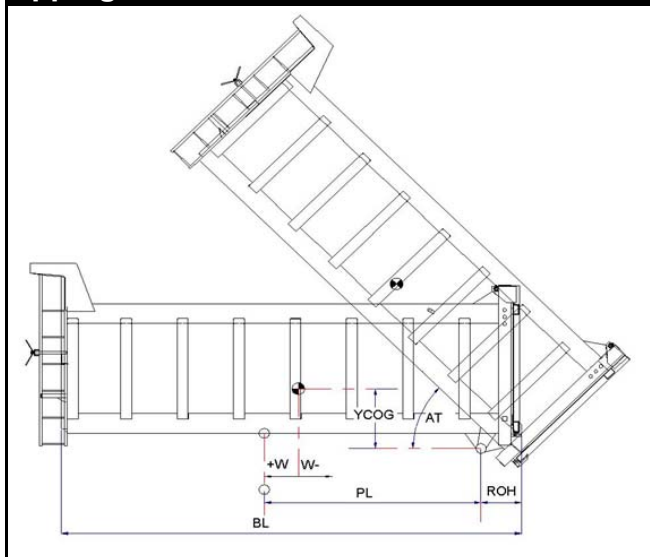
## technical notes

This cylinder is a lifting device only and may not be used as a structural member or be subjected to side load. Sideload and/or poor alignment might result in cylinder leakage. Hyva therefore strongly recommends the use of a cradle, even in instances where the cylinder only tips to the rear or to the side. The cylinder is painted black RAL9005. For suitable hydraulic oils, please refer to data sheet OIL-0011. For details of available brackets and cradles, please refer data sheet 015BRA06.

Detailed calculations can be made using the HYVA Tipper Program, freely available from [tipper.hyva.com](http://tipper.hyva.com).

<sup>3</sup>The cylinder thrust on the first stage (from the HYVA Tipper Program) must not exceed the maximum allowable (see specifications above).

## tipping view



## tipping weight

PL	2580			mm	2280		
YCOG	500			mm	500		
ROH	500			mm	500		
BL	6840	6160	5600	mm	6180	5560	5050
CYL w.r.t. COG (W)	-340	0	280	mm	-310	0	250
	Tipping weight for full stroke of 46°				Tipping weight for full stroke of 52°		
Tipping weight	6	7	8	ton	6	7	9
	Tipping weight for second last stage, up to 37°				Tipping weight for 2nd last stage, up to 42°		
Tipping weight	10	13	14	ton	11	15	17

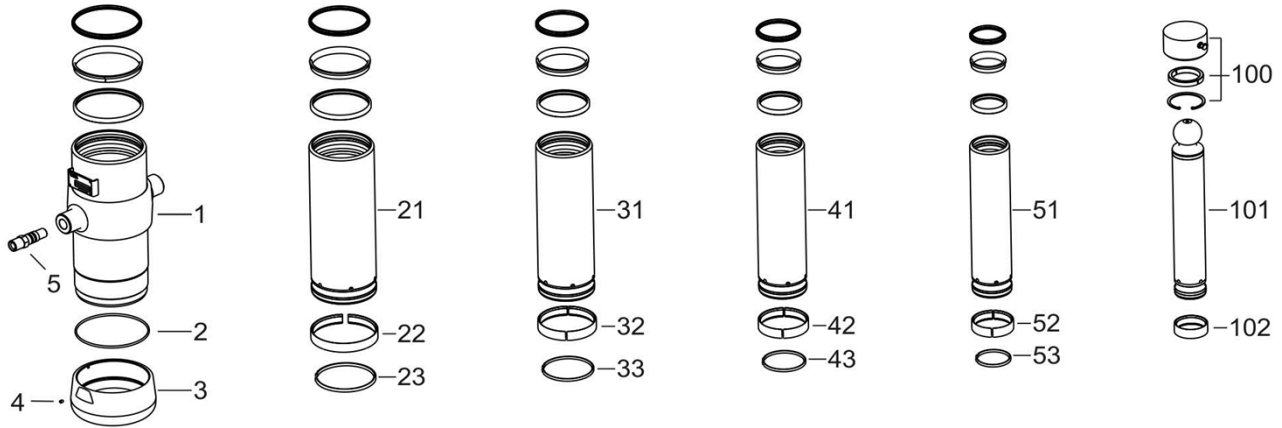
# HYVA CYLINDER

714 04 567

type

UMB 129-5-1980-K192-45-1/2"-HC

page # 2 / 2



## Spare part list

Pos	Part no.	Description	Qty.
1	73505550	BASE 149-0512-N0106	1
2	01226680	O-RING 145 X 4 70 SHORE	1
3	73101030	THREADED BOTTOM UM 149	1
4	01792571	LOCKING SCREW M6X12 INT. HEX. DIN 916	1
5	73103000	OIL INLET ADAPTOR UM 1/2"OT+O-RING	1
21	73604551	STAGE 129-0512-HC	1
22	71807129 K	SLIDER FL 129/GF 129 (2 X 1/2)	1
23	71812129 K	LIFTRING FL 129/HP 129	1
31	73603551	STAGE 110-0512-HC	1
32	71807110 K	SLIDER FL 110/GF 110 (2 X 1/2)	1
33	71812110 K	LIFTRING FL 110	1
41	73602551	STAGE 091-0512-HC	1
42	71807091 K	SLIDER FL 091 (2 X 1/2)	1
43	71812091 K	LIFTRING FL 091	1
51	73601551	STAGE 072-0512-HC	1
52	71807072 K	SLIDER FL 072 (2 X 1/2)	1
53	71810072 K	INNER STOPRING/LIFTRING FL 072	1

## Spare part list

Pos	Part no.	Description	Qty.
100	01745101	RETAINER KIT UMB D.53	1
101	73400551	PISTON B 053-0548-HC	1
102	71807053 K	SLIDER FL 053 (2 X 1/2)	1

## Seal kit complete

Part no.	Description
719 04 451K	Complete packset: Consists of all packsets with packset grease and o-ring.