

HYVA PTO'S



PNEUMATICALLY OPERATED POWER TAKE-OFF

Hyva

Partno. PTO:

021215010/021215011

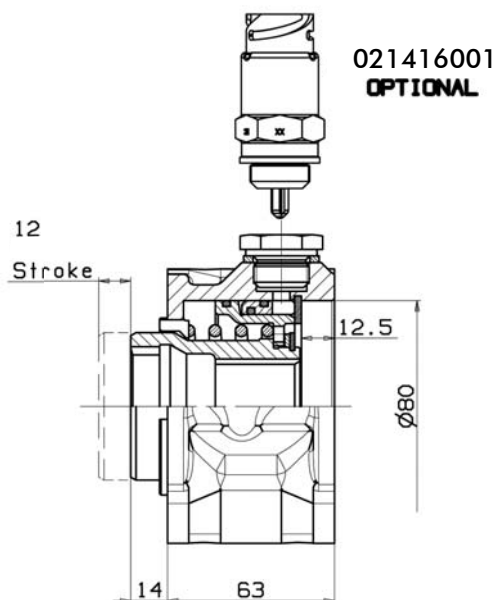
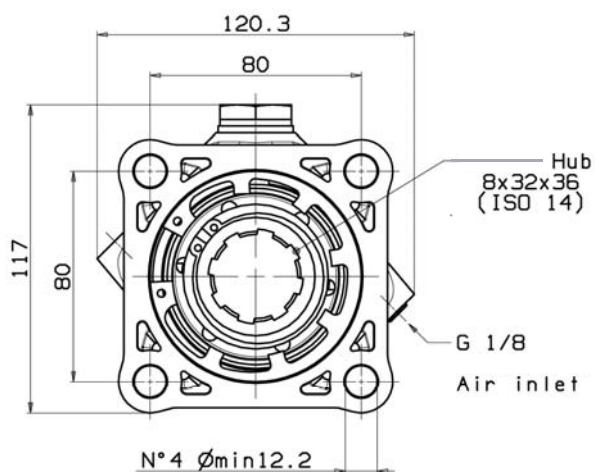
Type Gearbox:

VOLVO-EATON-SCANIA

Page 1 / 2

MERCEDES-ZF

021215010



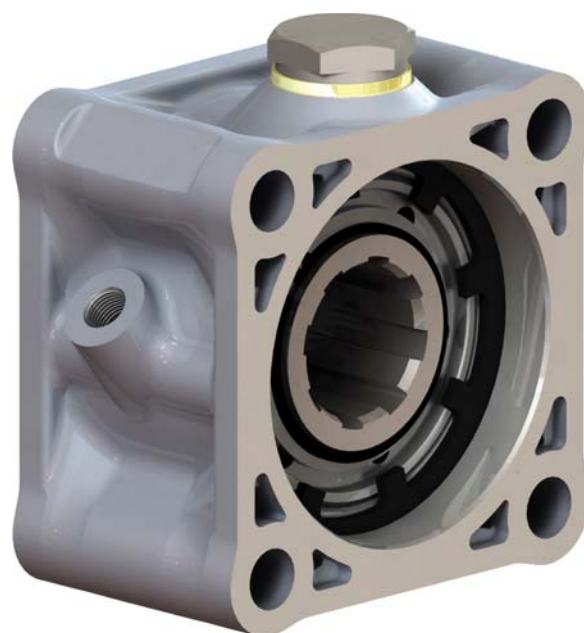
Specifications

Type Gearbox	VOLVO - EATON - ZF MERCEDES - SCANIA
PTO ratio@1000 eng. rpm	SEE INDEX
Max torque	1000 Nm (1)
Mounting side	Rear
Output	Rear
Rotation	Cw

(1) The maximum allowed torque is referred to the PTO only. It is essential to watch the PTO/gearbox application book to get the maximum torque limit of every single transmission.

Mounting kit

Part no.	SEE INDEX
----------	-----------



HYVA PTO'S



PNEUMATICALLY OPERATED POWER TAKE-OFF

Hyva

Partno. PTO:

021215010/021215011

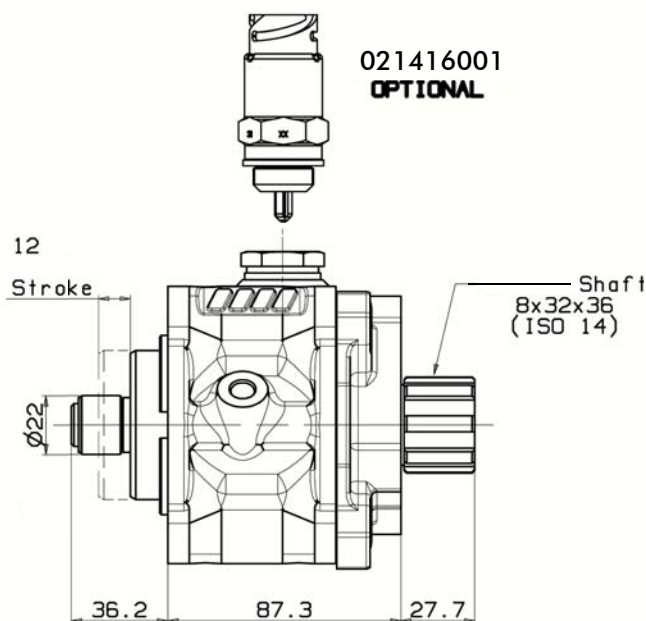
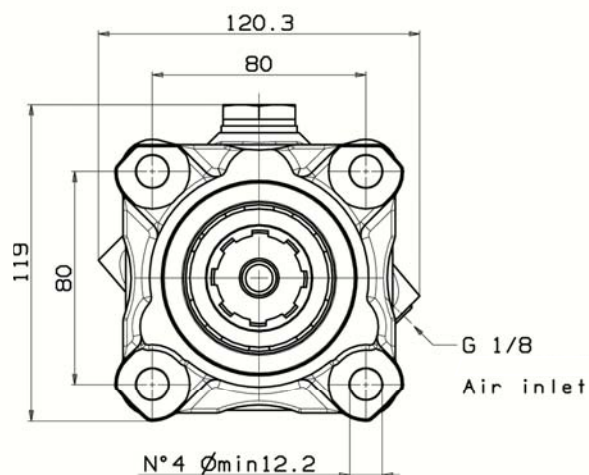
Type Gearbox:

VOLVO-EATON-SCANIA

Page 2 / 2

MERCEDES-ZF

021215011



Specifications

Type Gearbox	VOLVO - EATON - ZF MERCEDES - SCANIA
PTO ratio@1000 eng. rpm	SEE INDEX
Max torque	1000 Nm (1)
Mounting side	Rear
Output	Rear
Rotation	Cw

(1) The maximum allowed torque is referred to the PTO only. It is essential to watch the PTO/gearbox application book to get the maximum torque limit of every single transmission.

Mounting kit

Part no.	SEE INDEX
----------	-----------

