

HYVA GEAR PUMPS



EXTERNAL GEAR TYPE

Hyva

page # 1 / 1

gear pump type :

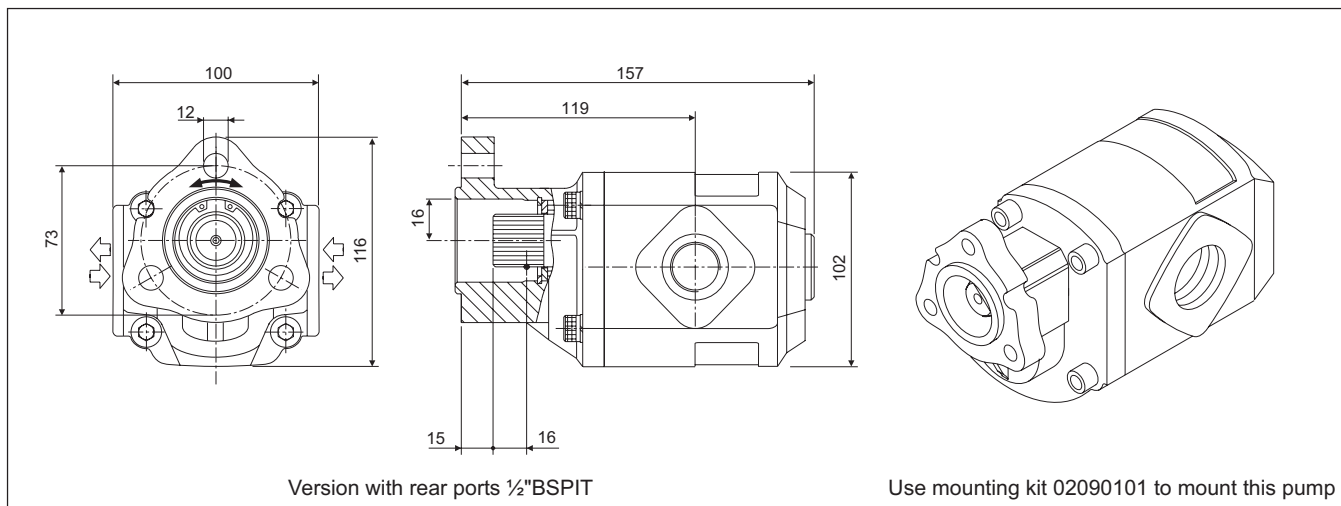
part number :

rotation :

gear pump 020L - BI - 3H

145 63 028

bi-rotational

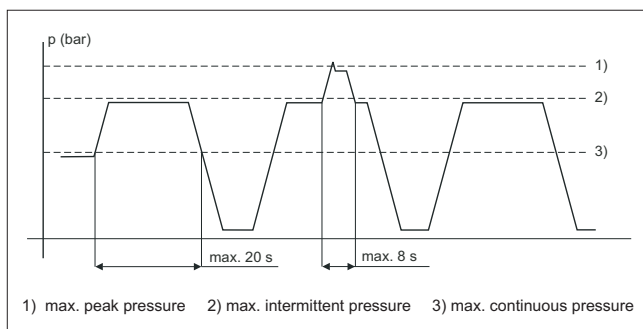


specifications

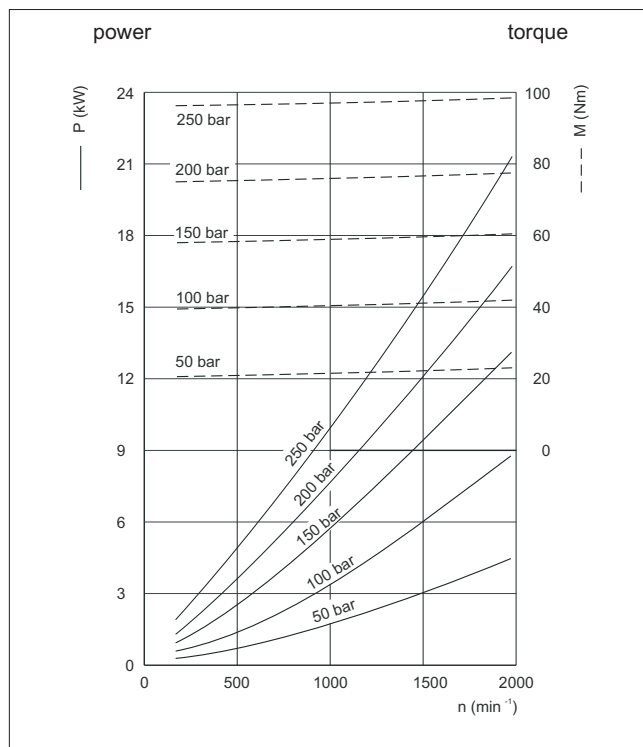
displacement per revolution	:	20,80	cm ³
maximum peak pressure	:	290	bar
maximum intermittent pressure	:	280	bar
maximum continuous pressure	:	260	bar
maximum speed without load	:	4200	min ⁻¹
max. speed at intermittent press.	:	2000	min ⁻¹
min. speed at intermittent press.	:	300	min ⁻¹
oil temperature range	:	-25 ⇄ 80	°C
inlet pressure range (suction side)	:	0,7 ⇄ 3	bar (abs)
recommended oil viscosity range	:	12 ⇄ 100	mm ² /s (cSt)
maximum starting viscosity	:	750	mm ² /s (cSt)
filtration :			
- working pressure < 200 bar	:	25	µm
- working pressure > 200 bar	:	10	µm
connection :			
- inlet - straight internal thread	:	0,5	" B.S.P.
- outlet - straight internal thread	:	0,5	" B.S.P.
minimum suction hose bore diameter	:	1,25	inch
shaft DIN 5482	:	22x19	mm
mass	:	5,3	kg
noise level at 900 min ⁻¹ and 100 bar	:	60,1	dB(A)
noise level at 1500 min ⁻¹ and 100 bar	:	62,6	dB(A)

efficiency diagram on request

pressure definition



power and torque



hydraulic pump symbol

