

HYVA CYLINDER

714 06 852



type: UMB 169-6-2980-K258-50-3/4"-HC

tipping weight: 13-25 ton

page # 1 / 2

Stage diameters	front view cylinder		A	230
169			ØC	192
149			G ¹	739
129			I	481
110			K ¹	258
91			M ¹	99
72			ØP	100
		ØQ	65	
		S	490	
		ØW	50	
		X	45	

¹including 20 mm pull-out [tol. -5; +30 mm]

²cylinder is delivered including oil inlet swivel adapter and cup

specifications

total stroke ¹	2980 mm
dry weight cylinder only	119 kg
total volume	39.4 L
working volume	36.3 L
maximum pressure	220 bar
maximum pump flow	61 l/min
maximum allowable thrust first stage ³	20.0 ton
oil inlet	3/4" BSP

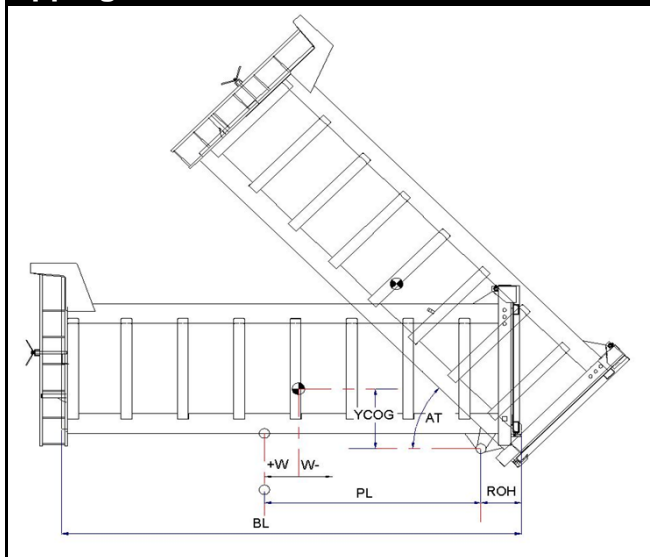
technical notes

This cylinder is a lifting device only and may not be used as a structural member or be subjected to side load. Sideload and/or poor alignment might result in cylinder leakage. Hyva therefore strongly recommends the use of a cradle, even in instances where the cylinder only tips to the rear or to the side. The cylinder is painted black RAL9005. For suitable hydraulic oils, please refer to data sheet OIL-0011. For details of available brackets and cradles, please refer data sheet 015BRA06.

Detailed calculations can be made using the HYVA Tipper Program, freely available from tipper.hyva.com.

³The cylinder thrust on the first stage (from the HYVA Tipper Program) must not exceed the maximum allowable (see specifications above).

tipping view



tipping weight

PL	3890	mm	3440				
YCOG	700	mm	700				
ROH	700	mm	700				
BL	9180	8350	7650	mm	8280	7530	6900
CYL w.r.t. COG (W)	0	420	770	mm	0	380	690
Tipping weight for full stroke of 46°				Tipping weight for full stroke of 52°			
Tipping weight	13	15	17	ton	14	16	19
Tipping weight for second last stage, up to 38°				Tipping weight for 2nd last stage, up to 43°			
Tipping weight	18	22	25	ton	20	22	25

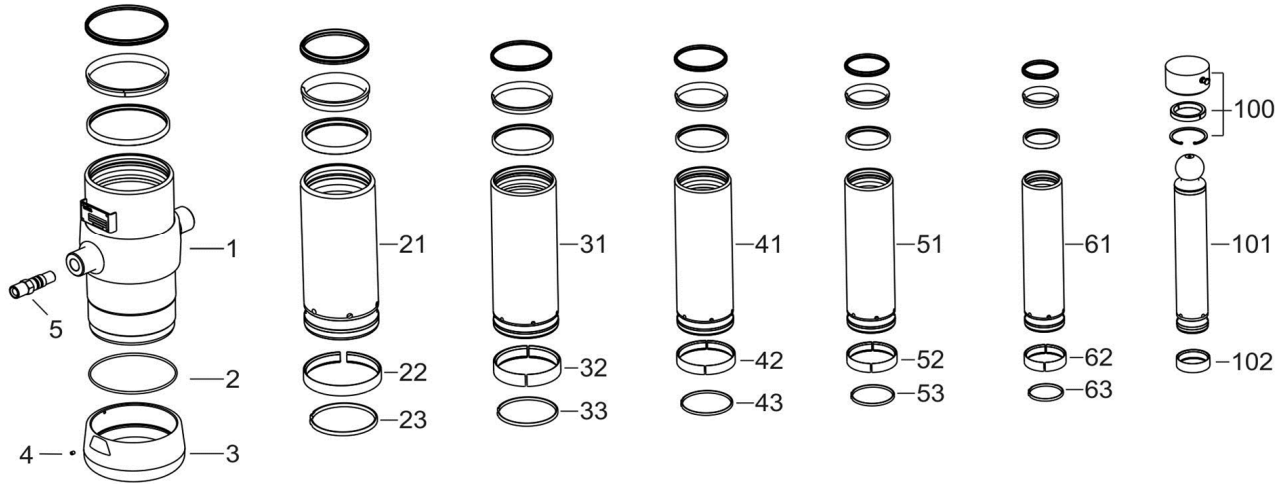
HYVA CYLINDER

714 06 852

type

UMB 169-6-2980-K258-50-3/4"-HC

page # 2 / 2



Spare part list

Pos	Part no.	Description	Qty.
1	73507750	BASE 191-0612-N0159	1
2	01226780	O-RING 184 X 4 70 SHORE	1
3	73101050	THREADED BOTTOM UM 191	1
4	01792571	LOCKING SCREW M6X12 INT. HEX. DIN 916	1
5	73103002	OIL INLET ADAPTOR UM 3/4"OT+O-RING	1
21	73606751	STAGE 169-0612-HC	1
22	71807169 K	SLIDER FL 169	1
23	71813169 K	LIFTRING FL 169x5	1
31	73605751	STAGE 149-0612-HC	1
32	71807149 K	SLIDER FL 149	1
33	71812149 K	LIFTRING FL 149/HP 150	1
41	73604751	STAGE 129-0612-HC	1
42	71807129 K	SLIDER FL 129/GF 129 (2 X 1/2)	1
43	71812129 K	LIFTRING FL 129/HP 129	1
51	73603751	STAGE 110-0612-HC	1
52	71807110 K	SLIDER FL 110/GF 110 (2 X 1/2)	1
53	71812110 K	LIFTRING FL 110	1

Spare part list

Pos	Part no.	Description	Qty.
61	73602751	STAGE 091-0612-HC	1
62	71807091 K	SLIDER FL 091 (2 X 1/2)	1
63	71812091 K	LIFTRING FL 091	1
100	01745102	RETAINER KIT UMB D.65	1
101	73401751	PISTON B 072-0652-HC	1
102	71807072 K	SLIDER FL 072 (2 X 1/2)	1

Seal kit complete

Part no.	Description
719 04 661K	Complete packset: Consists of all packsets with packset grease and o-ring.