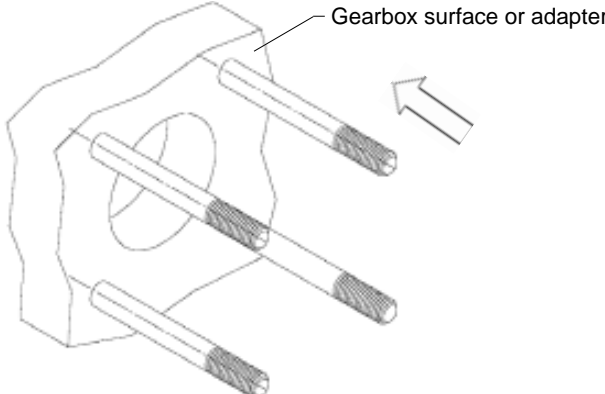
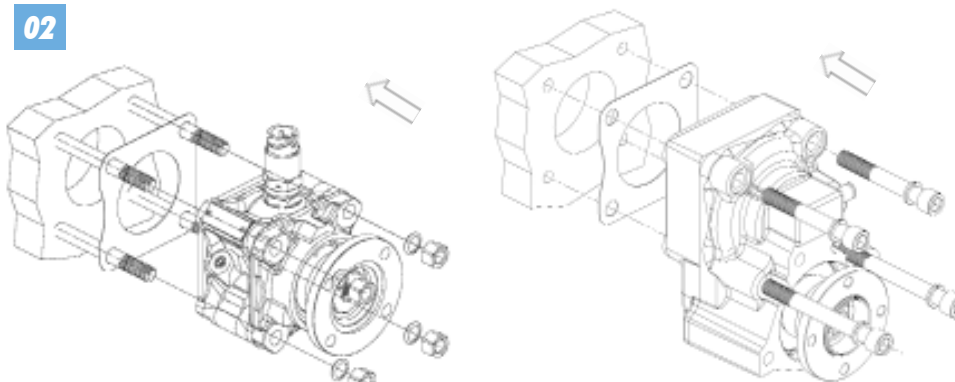


MOUNTING INSTRUCTIONS FOR

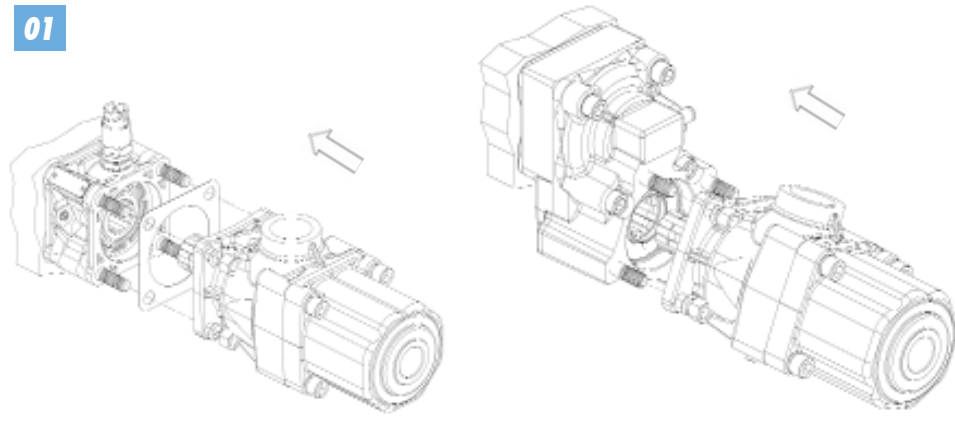
REAR PTO ISO 7707 TYPE

- If necessary, drain the gearbox oil and remove the cover plate.
- Clean the mounting pad with a scraper or wire brush paying attention to prevent dirt from entering the transmission.
- Check that the installation is done by using original HYVA's Mounting Kit.

FLANGE VERSION PTO

<p>01</p>  <p>Gearbox surface or adapter</p>	<p>Using Loctite (medium sealing – Loctite 243, Loxeal 55-03 or similar), install the studs supplied with the mounting kit with a 30Nm tightening torque.</p>
<p>02</p> 	<p>Place mounting gaskets included in the mounting kit and fit the PTO onto the gearbox. Screw the nuts with driving torque 80 Nm</p>

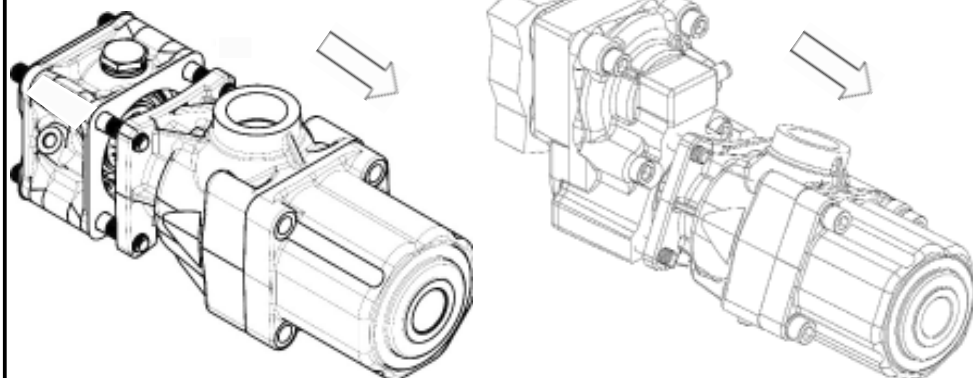
PTO FOR DIRECT PUMP FITTING

<p>01</p> 	<p>Fit the pump onto the PTO placing the gasket included in the mounting kit</p>
--	--

MOUNTING INSTRUCTIONS FOR

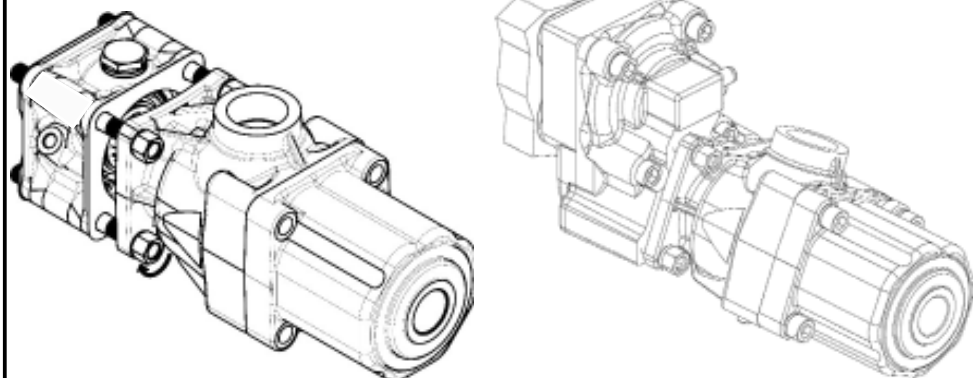
REAR PTO ISO 7707 TYPE

02



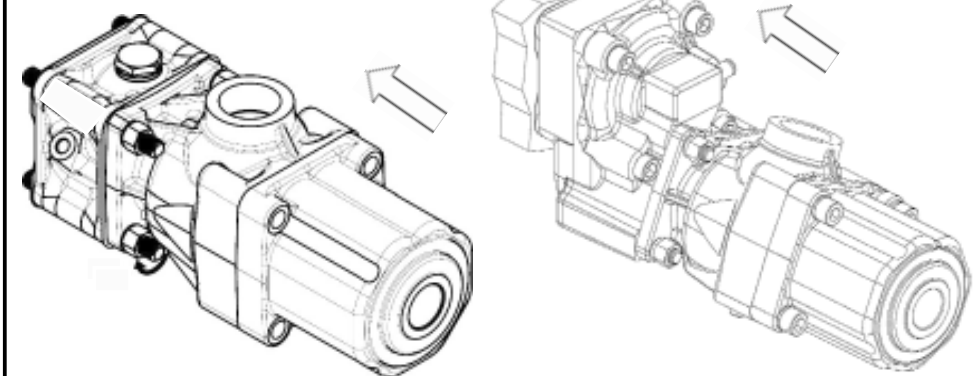
Move the pump away by 10 mm from the PTO.

03



Screw the nuts for some mm.

04



Push the pump against the PTO and screw the nuts completely. Driving torque 80 Nm.

The pump shown in the present sheet is just an example.